

MaxMotion

PERFORMANCE DATA SHEET

Meets or exceeds MEPS (Minimum Efficiency Performance Standards), as described by the US Department of Energy in docket 10CFR431 and Natural Resources Canada's Amendment 14

Catalogue #: **MQRP-202CH**

| HP | kW | Voltage | S.F. @ 60Hz | EFF. | P.F. | Frame | Design | L.R. Amps |
|----|------|-----------|-------------|-------|-------|-------|--------|-----------|
| 2 | 1,49 | 230 / 460 | 1,15 | 85,5% | 0,870 | 56HC | B | 25 |

| 60 Hz | | | | | | | | |
|-------|------|-----|------|-----|-----|-----|------|----------|
| FLA | | | | | | | Code | F.L. RPM |
| 208 | 230 | 416 | 460 | 480 | 575 | 600 | | |
| / | 5,05 | / | 2,53 | / | / | / | L | 3500 |

| 50 Hz | | | | | | | | |
|-------|-------|-----|-----|-------------|------------|------|------|----------|
| HP | kW | FLA | | S.F. @ 50Hz | Efficiency | P.F. | Code | F.L. RPM |
| | | 190 | 380 | | | | | |
| 1,5 | 1,119 | 5,0 | 2,5 | 1,15 | 84,0% | 0,81 | L | 2870 |

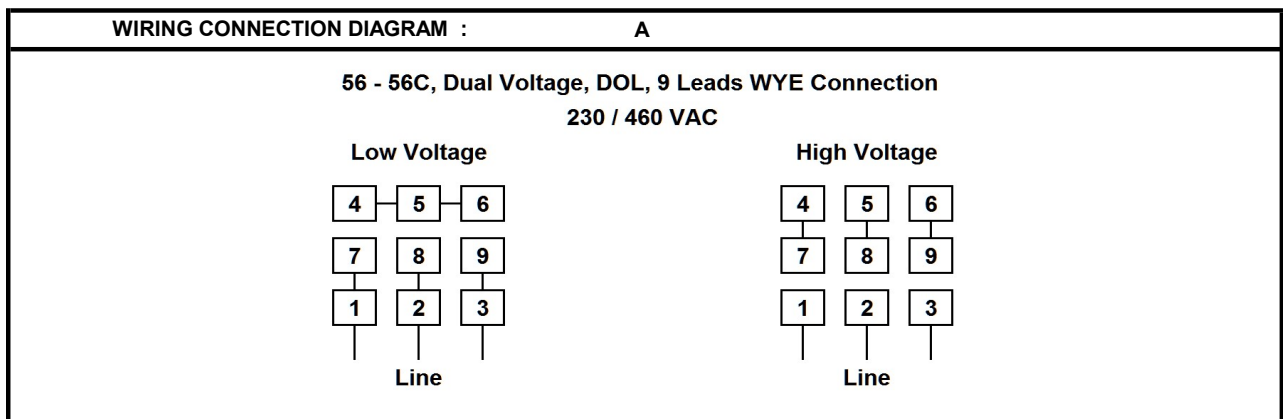
| Wgt. Lbs | PH | Duty | Insul. Class | Amb. | Elevation | Temp. Rise° C |
|----------|----|-------|--------------|------|-----------------|---------------|
| 32 | 3 | Cont. | F | 40°C | 1000M (3300 Ft) | 56 |

| % Efficiency | | % Power Factor | | Torque | | Winding Resist. Ω | Safe Cold Start (Secs) |
|--------------|-------|----------------|------|------------------|-----|-------------------|------------------------|
| Full Load: | 85,5% | Full Load: | 0,87 | Full Load Ft/Lbs | 3,0 | | |
| 3/4 Load: | 86,2% | 3/4 Load: | 0,82 | Locked Rotor % | 388 | | |
| 1/2 Load: | 84,0% | 1/2 Load: | 0,74 | Break Down % | 419 | 1,59 / 6,25 | 12 |

| Rotor Inertia Wk2 Lb-Ft2 | Max Load Inertia Wk2 Lb-Ft2 | Shaft Material | Frame Material | DE Bracket Type | ODE Bracket Type | Enclosure | NEMA Rating | Lead Wire Size |
|--------------------------|-----------------------------|----------------|----------------|-----------------|------------------|-----------|-------------|----------------|
| / | / | Steel | Rolled Steel | Aluminium Alloy | | TEFC | IP55 | 14AWG |

| Ball Bearings | | Grease | Mount Type | Orientation | Paint | Sound Pressure @ 3FT | Sound Power |
|---------------|------|-----------------|------------|-------------|-------|----------------------|-------------|
| DE | ODE | | | | | | |
| 6205 | 6203 | Sealed Bearings | Rigid | Horizontal | Black | 58 | / |

| Inverter Duty. | Constant Torque Range | Variable Torque Range | Constant HP RPM |
|--------------------------------|-----------------------|-----------------------|-----------------|
| Motor meets MG1 parts 31.4.4.2 | 10:1 | 20:1 | 5400 |



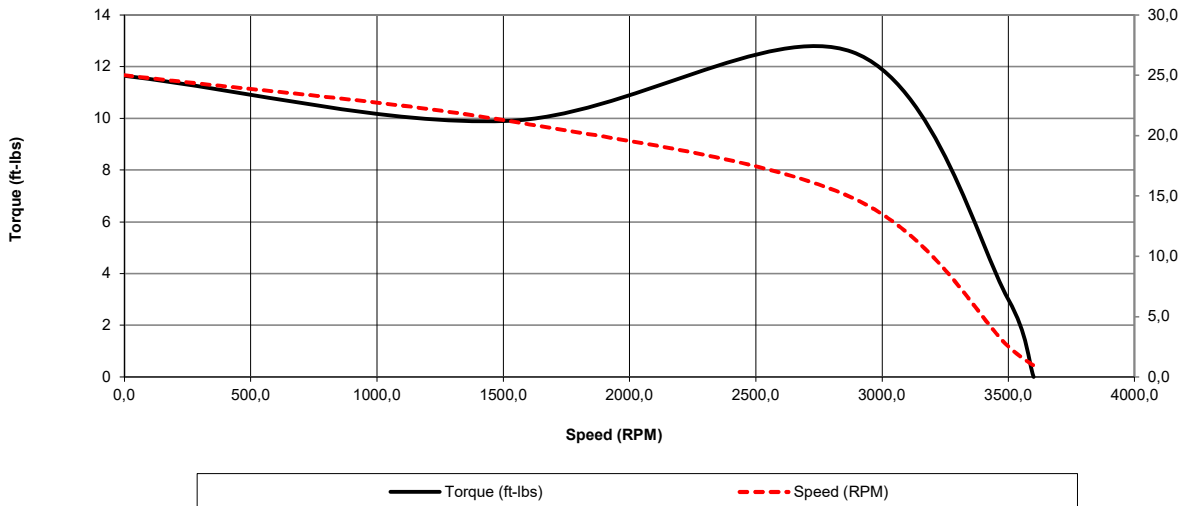
Date: 2023-12-21
 Customer: _____
 Contact: _____
 Submittee: J.C. Lavallée

Catalogue #: **MQRP-202CH**

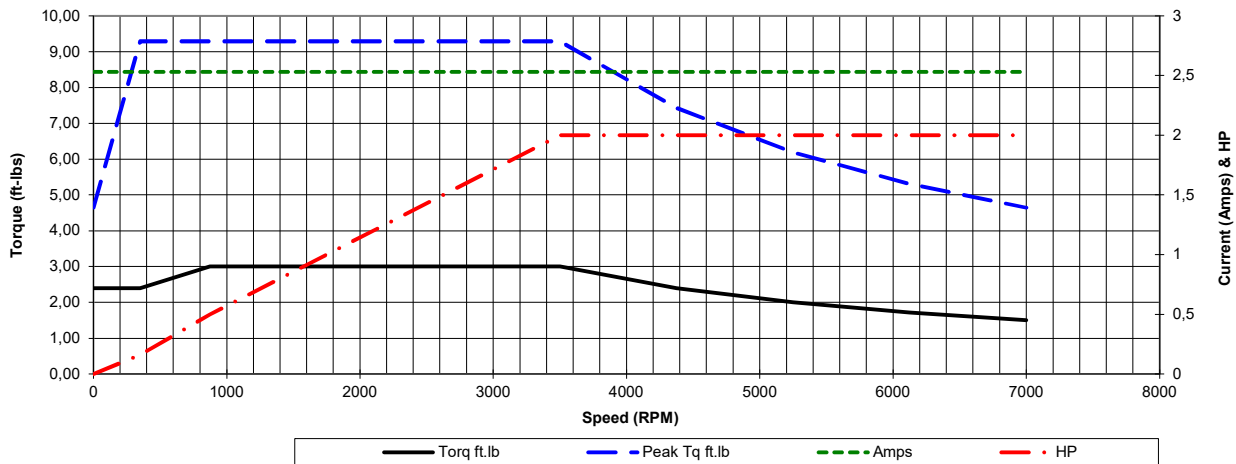
Meets or exceeds MEPS (Minimum Efficiency Performance Standards), as described by the US Department of Energy in docket 10CFR431 and Natural Resources Canada's Amendment 14

| HP | VAC | RPM | Enclosure | Frame | Frequency | Design | Poles | LR Code Letter | Insulation Class | Temp. Rise °C |
|-----------------|--------------|---------|-----------|------------|-----------|--------------------------------------|-------|----------------|------------------|---------------|
| 2 | 460 | 3500 | TEFC | 56HC | 60 | B | 2 | L | F | 56 |
| | 0Hz | 6Hz | 15Hz | 30Hz | 45Hz | 60Hz | 75Hz | 90Hz | 105Hz | 120Hz |
| Amps | 2,53 | 2,53 | 2,53 | 2,53 | 2,53 | 2,53 | 2,53 | 2,53 | 2,53 | 2,53 |
| RPM | 0 | 350 | 875 | 1750 | 2625 | 3500 | 4375 | 5250 | 6125 | 7000 |
| Torq ft.lb | 2,40 | 2,40 | 3,00 | 3,00 | 3,00 | 3,00 | 2,40 | 2,00 | 1,71 | 1,50 |
| Peak Tq ft.lb | 4,64 | 9,29 | 9,29 | 9,29 | 9,29 | 9,29 | 7,43 | 6,19 | 5,31 | 4,64 |
| HP | 0 | 0,2 | 0,5 | 1,0 | 1,5 | 2,0 | 2,0 | 2,0 | 2,0 | 2,0 |
| | Locked Rotor | Pull-Up | Breakdown | Rated Load | Idle | Duty | S. F. | Ambient | Elevation | dBA @ 1M |
| Speed (RPM) | 0,0 | 1512 | 2880 | 3500 | 3600 | Continuous | 1,15 | 40°C | 3,300 ft | 58 |
| Current (Amps) | 25,0 | 21,3 | 14,9 | 2,5 | 1,0 | VFD Rating: Meets MG1 parts 31.4.4.2 | | | | |
| Torque (ft-lbs) | 11,6 | 9,9 | 12,6 | 3,0 | 0,0 | C.T. | 10:1 | V.T. | 20:1 | |

Motor Speed Data



Motor Torque Capability vs RPM





Date: 2023-12-21
 Customer: _____
 Contact: _____
 Submittee: J.C. Lavallée

Catalogue #: **MQRP-202CH**

| Meets or exceeds MEPS (Minimum Efficiency Performance Standards), as described by the US Department of Energy in docket 10CFR431 and Natural Resources Canada's Amendment 14 | | | | | | | | | | |
|--|-----|------|-----------|-------|-----------|--------|-------|----------------|------------------|---------------|
| HP | VAC | RPM | Enclosure | Frame | Frequency | Design | Poles | LR Code Letter | Insulation Class | Temp. Rise °C |
| 2 | 460 | 3500 | TEFC | 56HC | 60 | B | 2 | L | F | 56 |

| Load % | 0% | 25% | 50% | 75% | 100% | 125% | 150% |
|-------------|------|-------|-------|-------|-------|-------|-------|
| Amps | 0,95 | 1,25 | 1,51 | 1,99 | 2,53 | 3,16 | 3,80 |
| Torq ft/lbs | 0 | 0,73 | 1,48 | 2,23 | 3,00 | 3,78 | 4,57 |
| RPM | 0 | 3575 | 3550 | 3525 | 3500 | 3475 | 3450 |
| Eff | 0 | 74,91 | 83,80 | 86,24 | 85,50 | 83,41 | 81,03 |
| PF | 0 | 50,0 | 74 | 82 | 87,0 | 88,7 | 91,4 |

| | Locked Rotor | Pull-Up | Breakdown | Rated Load | Idle | Duty | S. F. | Ambient | Elevation | dBa @ 1M |
|-----------------|--------------|---------|-----------|------------|-------|--------------------------------------|-------|---------|-----------|----------|
| Speed (RPM) | 0 | 1512 | 2880 | 3500 | 3600 | Continuous | 1,15 | 40°C | 3,300 ft | 58 |
| Current (Amps) | 25 | 21,3 | 14,9 | 2,53 | 0,954 | VFD Rating: Meets MG1 parts 31.4.4.2 | | | | |
| Torque (ft-lbs) | 11,64 | 9,90 | 12,57 | 3,00 | 0,0 | C.T. | 10:1 | V.T. | 20:1 | |

